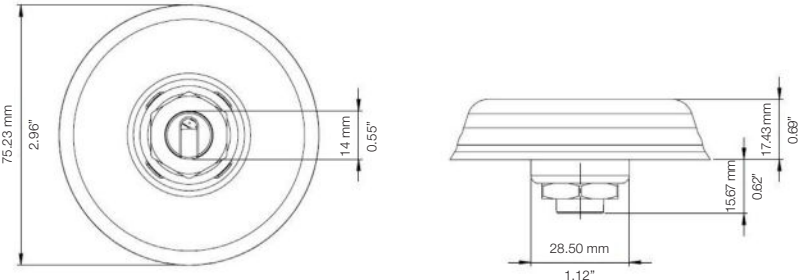


020-150

GSM ANTENNA



TYPE	Cellular/Wi-Fi/Bluetooth Antenna
FREQUENCIES	AMPS (824 MHz - 894 MHz) GSM (900 MHz) DCS (1800 MHz) PCS (1900 MHz) 3G (UMTS 2.1 GHz) Wi-Fi/Bluetooth (2.4 GHz)
MOUNTING	Body mounting, IP67/IP69K/IK09
IMPEDANCE	50 Ω
POLARISATION	Linear
GAIN	2.2 dBi (depending on ground plane size)
VSWR	<2:1
PROTECTION	IP67/IP69K/IK09
OPERATING TEMPERATURE	-40 °C to +85 °C -40 °F to +185 °F
MATERIAL	Housing – ABS Base – Zamak Gasket – TPE
MAXIMUM DIMENSIONS	<p>Depth when mounted (excluding bolt) 77.4 mm x 15.9 mm 3.04" x 0.62"</p> 
BOLT	<p>Bolt height 16 mm 0.63"</p> <p>Bolt Diameter M14 0.56"</p> <p>Nut size M14 0.56"</p>
WEIGHT (Based on 2.5 m cable length & FME connector)	150 g 5.29 oz
COLOUR	Black

