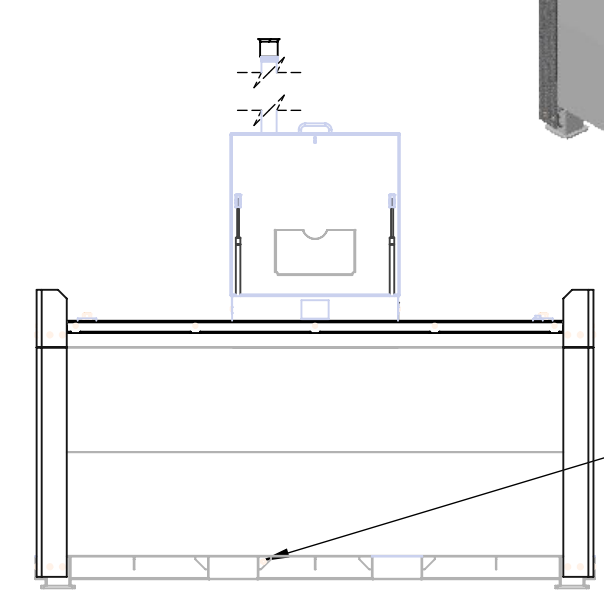
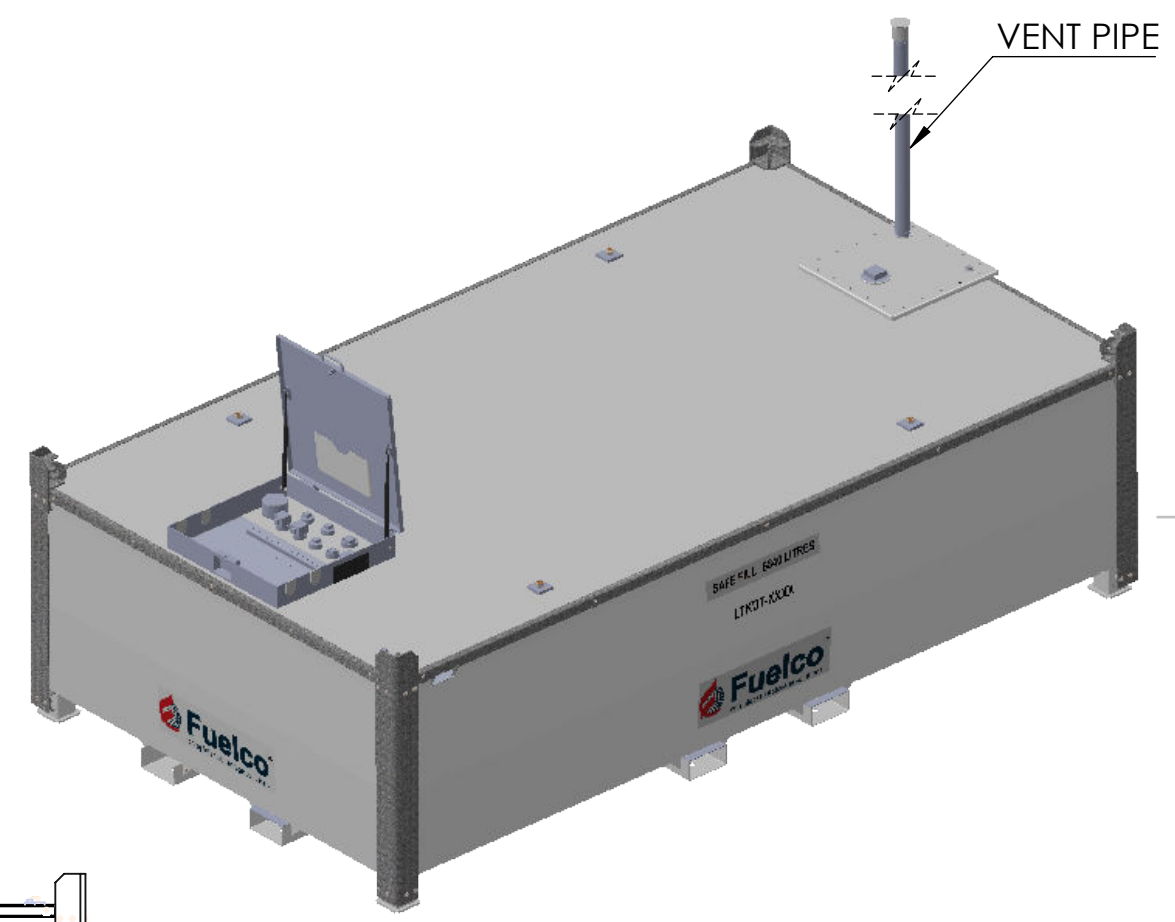
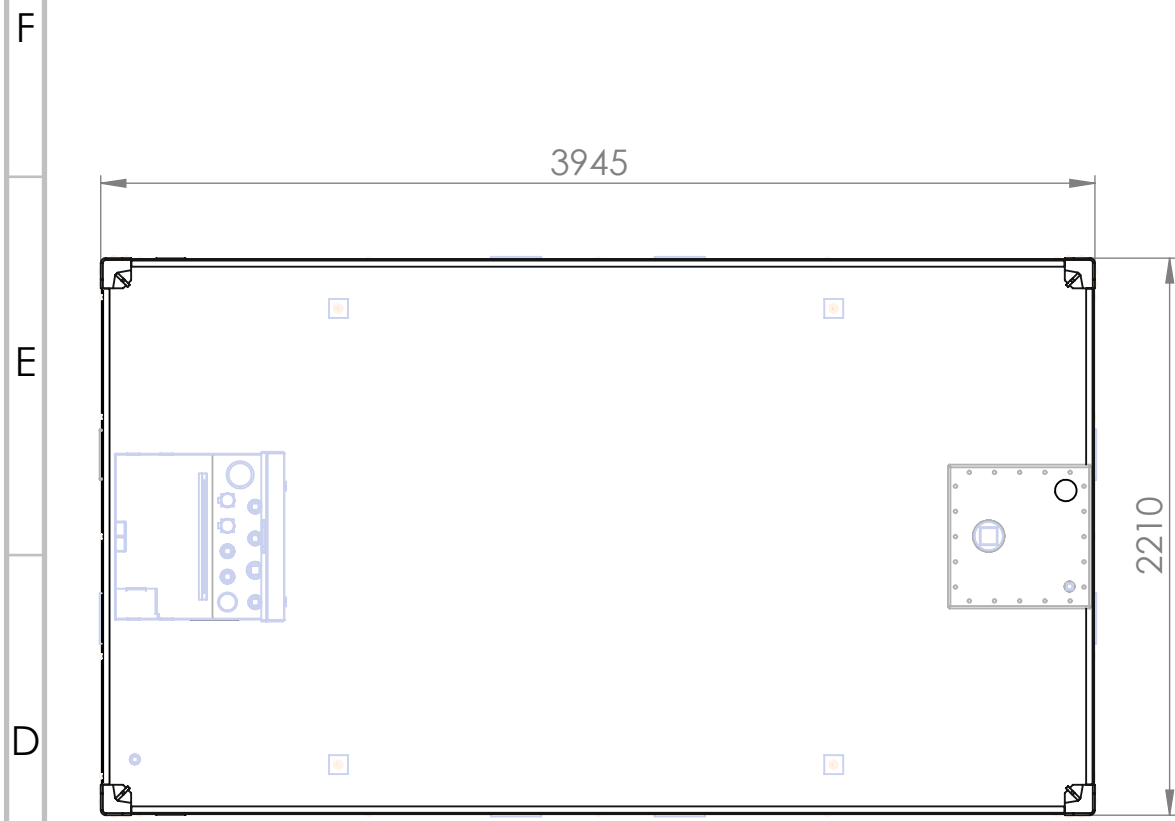


8 7 6 5 4 3 2 1

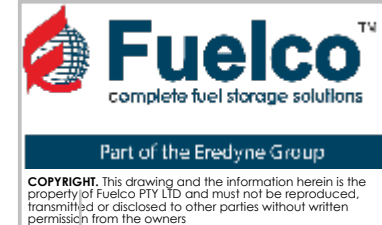
- NOTES:
1. BAFFLED INTERNALLY.
  2. CONTAINMENT AREA FOR PUMP, HOSE AND/OR NOZZLE STORAGE.
  3. DESIGNED TO BE STACKED FOR STORAGE.
  4. VENT PIPE FOR AS/NZ ONLY.

TANK DATA	
DESIGNED TO	AS1692, UL 142
BUILT TO	UL142
GROSS VOLUME	7 200 L (1 902 USG / 1 584 IG)
SAFE FILL LEVEL	6 840 L (1 807 USG / 1 505 IG)
PNEUMATIC TEST	21-35 kPa (INNER & OUTER)
TOTAL MASS	2 280 kg (EMPTY)
PAINT	Base Coat: Intergard 345 AkzoNobel (Int.), thickness: 80-100µm
	Top Coat: Interthane 990 AkzoNobel (Int.), thickness: 70-80µm



REV.	DESCRIPTION	DATE	DWN	APP
4	CHANGED OVERALL HEIGHT TO 1184mm	11/11/2022	LIB	HS
3	RE-ISSUED FOR INFORMATION	07/11/2022	LIB	HS
2	RE-ISSUED FOR INFORMATION	20/09/2022	LIB	HS
1	ISSUED FOR INFORMATION	11/06/2022	LIB	HS
REV.	DESCRIPTION	DATE	DWN	APP

**IF IN DOUBT ASK. DRAWING INFORMATION TAKES PRECEDENCE OVER PARTS LIST**



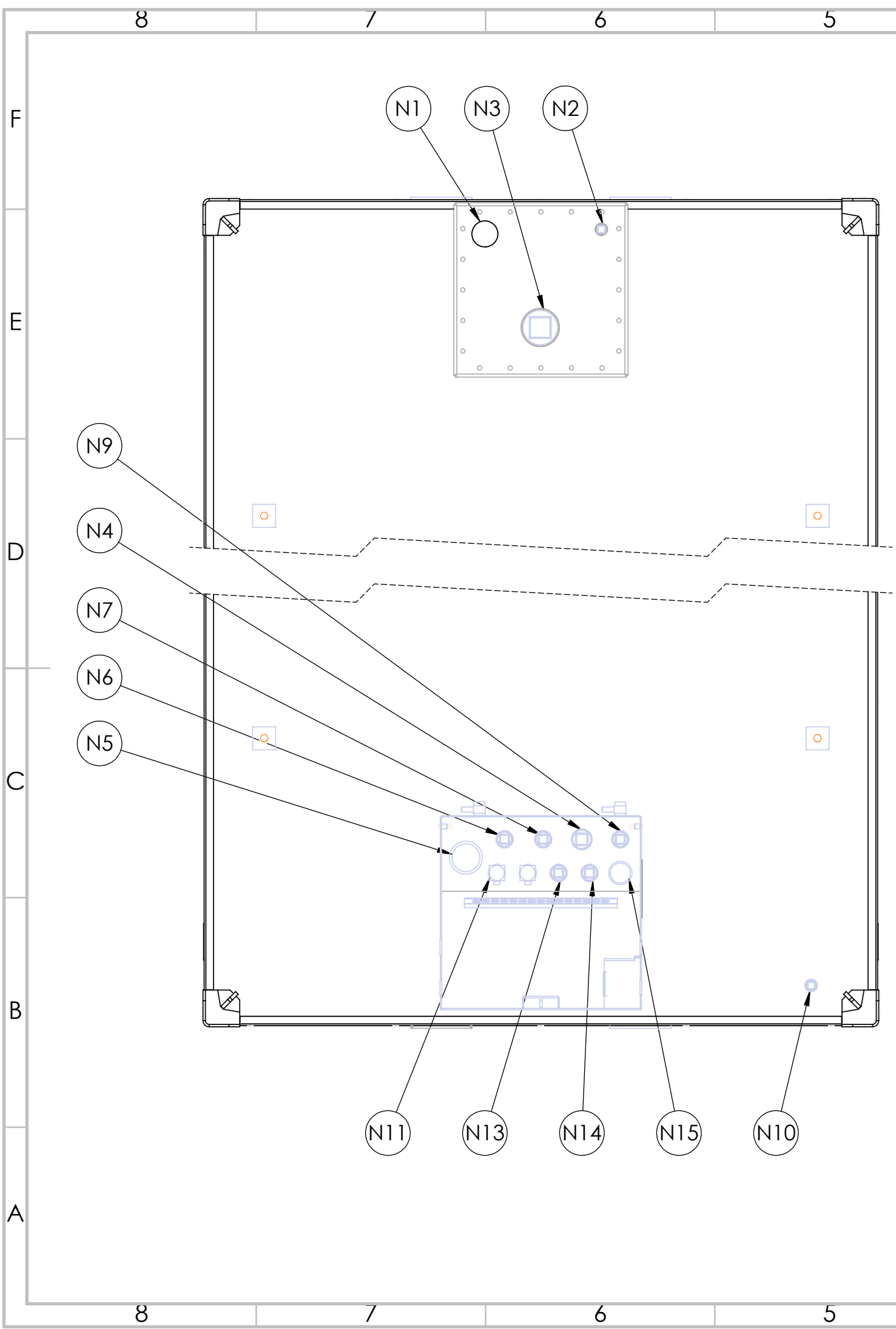
TYPE	TOLERANCE
GENERAL	±5.0
ONE DECIMAL PLACE	±0.1
TWO DECIMAL PLACE	±0.1
ANGULAR (°)	±1.0

SCALE	NTS
DWN	H SINGH 20/01/2022
MATERIAL	
THICKNESS	
FINISH	

TITLE	DRAWING NUMBER	SHEET 1 OF 2	REV
LTKD7 ASSEMBLY GENERAL ARRANGEMENT	LTKD7-GA		4

8 7 6 5 4 3 2 1

E:\Eredyne Group Dropbox\Lionel




NOZZLE NO.	SIZE	CONNECTION TYPE	DESCRIPTION
N1	DN50	BSP-F x 50 LONG	SPARE / FREE-TO-AIR VENT
N2	DN25	BSP-F x 45 LONG	SPARE
N3	DN100	BSP-F x 87 LONG	SPARE
N4	DN50	NPT-F x 50 LONG	PRESSURE/VACUUM VENT
N5	DN80	NPT-M x 75 LONG	FILL C/W DN80 PIPE 15mm FROM FLOOR
N6	DN40	BSP-F x 50 LONG	SPARE
N7	DN40	BSP-F x 50 LONG	SPARE
N8			NOT USED
N9	DN40	BSP-F x 50 LONG	GAUGE
N10	DN25	BSP-F x 45 LONG	INTERSTITIAL SPACE DRAIN POINT
N11	DN40	BSP-F x 50 LONG	SUCTION C/W DN40 PIPE 25mm FROM FLOOR
N12	DN40	BSP-F x 50 LONG	RETURN
N13	DN40	BSP-F x 50 LONG	SPARE
N14	DN40	BSP-F x 50 LONG	SPARE
N15	DN50	BSP-M x 50 LONG	DIP C/W DN50 PIPE CONNECTED TO FLOOR

NOTES:

- FRONT HATCH LID HIDDEN FOR CLARITY.

**IF IN DOUBT ASK.  
DRAWING INFORMATION TAKES PRECEDENCE OVER PARTS LIST**

 <p>Part of the Eredyne Group</p> <p><small>COPYRIGHT. This drawing and the information herein is the property of Fuelco PTY LTD and must not be reproduced, transmitted or disclosed to other parties without written permission from the owners</small></p>	<p><b>GENERAL NOTES</b> DO NOT SCALE UNLESS STATED OTHERWISE:- ALL DIMENSIONS IN MILLIMETERS ALL THREADS ARE METRIC COARSE DEBURR &amp; REMOVE ALL SHARP EDGES TOLERANCES:</p> <table border="1"> <thead> <tr> <th>TYPE</th> <th>TOLERANCE</th> </tr> </thead> <tbody> <tr> <td>GENERAL</td> <td>±5.0</td> </tr> <tr> <td>ONE DECIMAL PLACE</td> <td>±0.1</td> </tr> <tr> <td>TWO DECIMAL PLACE</td> <td>±0.1</td> </tr> <tr> <td>ANGULAR (°)</td> <td>±1.0</td> </tr> </tbody> </table>	TYPE	TOLERANCE	GENERAL	±5.0	ONE DECIMAL PLACE	±0.1	TWO DECIMAL PLACE	±0.1	ANGULAR (°)	±1.0	SCALE	NTS		TITLE
		TYPE	TOLERANCE												
		GENERAL	±5.0												
		ONE DECIMAL PLACE	±0.1												
TWO DECIMAL PLACE	±0.1														
ANGULAR (°)	±1.0														
	DWN	H SINGH	20/01/2022	LTKD7 ASSEMBLY NOZZLE SCHEDULE											
	MATERIAL														
	THICKNESS														
	FINISH														
				DRAWING NUMBER	SHEET 2 OF 2	A3									
				LTKD7-GA		REV 4									