



# ECP28

MECCALTE spa - Via Roma, 20 - 36051 CREAZZO (VI) ITALY  
Tel. +39 0444/396111 - Fax +39 0444/396166 - e-mail: info@meccalte.it  
website: www.meccalte.com

**C-TYPE**  
**2 POLE**

## CHARACTERISTICS

### INDUSTRIAL RATINGS

ambient 40 ° C

Type 50 Hz	kVA cosφ 0.8 - 3 Phase continuous							Efficiency			1 Phase kVA COSφ 1 CL. H (ΔT= 125°C) DELTA
	CL. H ( ΔT= 125°C)				CL. F ( ΔT= 105°C)			η % CL. H (ΔT= 125°C)			
	380	400	415	IP45 400V	380	400	415	2/4	3/4	4/4	
Series Star Δ	190	200	208		190	200	208				
Parallel Star ΔΔ	220	230	240		220	230	240				
Parallel Delta ΔΔ	110	115	120		110	115	120				
<b>ECP28 M2 C</b>	22	<b>22</b>	22	17	20	<b>20</b>	20	83,5	85,8	85,2	14,5
<b>ECP28 1L2 C</b>	27	<b>27</b>	25	20	25	<b>25</b>	23	84,8	87	86,4	17
<b>ECP28 2L2 C</b>	31,5	<b>31,5</b>	31,5	24	30	<b>30</b>	30	85,5	87,8	87,2	20
<b>ECP28 VL2 C</b>	40	<b>40</b>	40	30	37	<b>37</b>	37	86	88,3	87,8	24

Type 60 Hz	kVA cosφ 0.8 - 3 Phase continuous							Efficiency			1 Phase kVA COSφ 1 CL. H (ΔT= 125°C) DELTA
	CL. H ( ΔT= 125°C)				CL. F ( ΔT= 105°C)			η % CL. H (ΔT= 125°C)			
	440	460	480	IP45 480V	440	460	480	2/4	3/4	4/4	
Series Star Δ	220	230	240		220	230	240				
Parallel Star ΔΔ	254	265	277		254	265	277				
Parallel Delta ΔΔ	127	133	138		127	133	138				
<b>ECP28 M2 C</b>	25	26,5	<b>26,5</b>	20,5	23	24	<b>24</b>	85	87,1	86,2	17,5
<b>ECP28 1L2 C</b>	31	32,5	<b>32,5</b>	24	28,5	30	<b>30</b>	86,8	88,8	87,9	20,5
<b>ECP28 2L2 C</b>	36	38	<b>38</b>	29	34	36	<b>36</b>	87,5	89,8	89,2	24
<b>ECP28 VL2 C</b>	45	48	<b>48</b>	36	41,5	44	<b>44</b>	88	90,1	89,7	29

### STANDBY RATINGS

Type	kVA Temp. Rise / Ambient °C			kVA Temp. Rise / Ambient °C		
	50 Hz			60 Hz		
	163° / 27°	150° / 40°	125° / 27°	163° / 27°	150° / 40°	125° / 27°
<b>ECP28 M2 C</b>	24	23	23	29	27,5	27,5
<b>ECP28 1L2 C</b>	29	28	28	35	33,5	33,5
<b>ECP28 2L2 C</b>	33,5	32,4	32,4	40	39	39
<b>ECP28 VL2 C</b>	43	41,3	41,3	51,5	49,6	49,6

Type	J (kgm <sup>2</sup> ) B3-B14 FORM	Weight (kg)	Air Volume		Noise dB (A)			
					50 Hz		60 Hz	
			50 Hz (m <sup>3</sup> /min)	60 Hz (m <sup>3</sup> /min)	1m	7m	1m	7m
<b>ECP28 M2 C</b>	0,1182	126	9,7	11	86	74	90,5	78
<b>ECP28 1L2 C</b>	0,1156	136						
<b>ECP28 2L2 C</b>	0,1204	141						
<b>ECP28 VL2 C</b>	0,1438	156						

### ACCESSORIES

REGULATOR				PARALLEL DEVICE	THERMAL PROTECTION			HEATERS	MECHANICAL PROTECTION	
DSR	DER-1	SR7/2	UVR6		PTC	BIMET DEVICE	PT100		IP23	IP45
<input checked="" type="checkbox"/>	<input type="checkbox"/>	<input type="checkbox"/>	<input type="checkbox"/>	<input type="checkbox"/>	<input type="checkbox"/>	<input type="checkbox"/>	<input type="checkbox"/>	<input type="checkbox"/>	<input checked="" type="checkbox"/>	<input type="checkbox"/>

● = Standard

□ = Optional

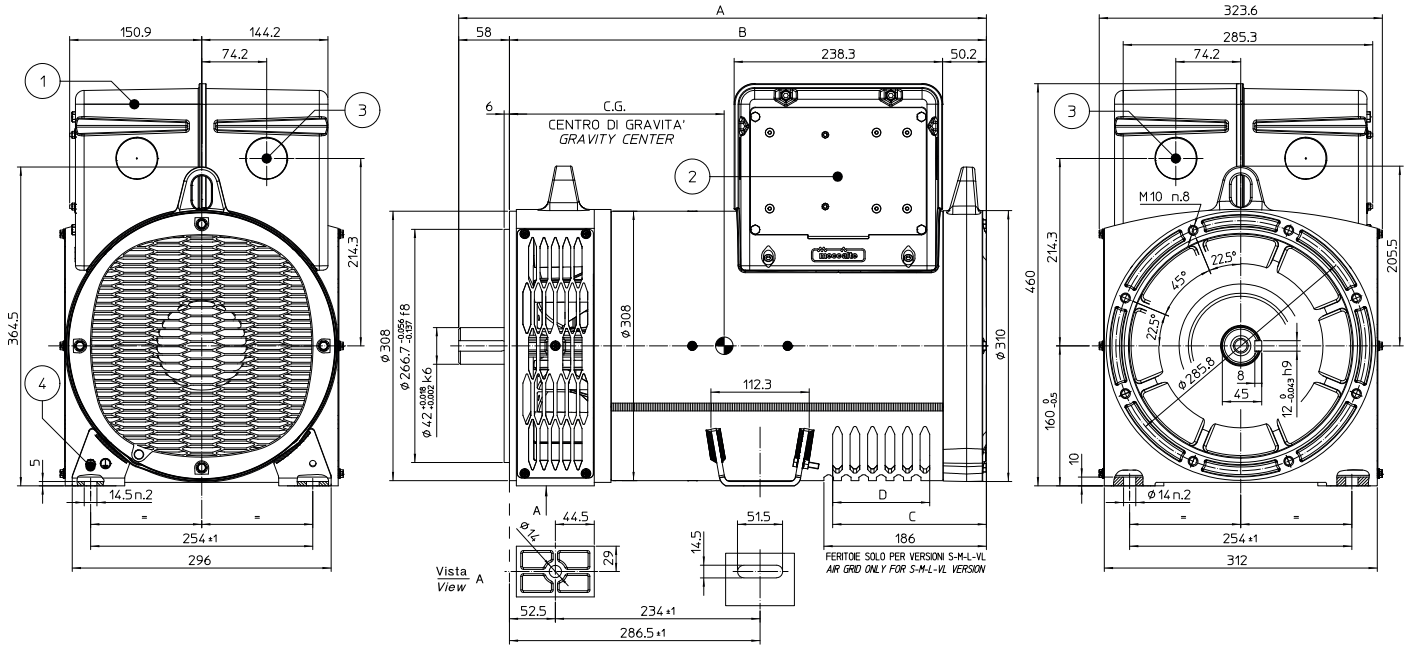
\* available if requested when placing the order



# OVERALL DIMENSIONS B3B14 FORM



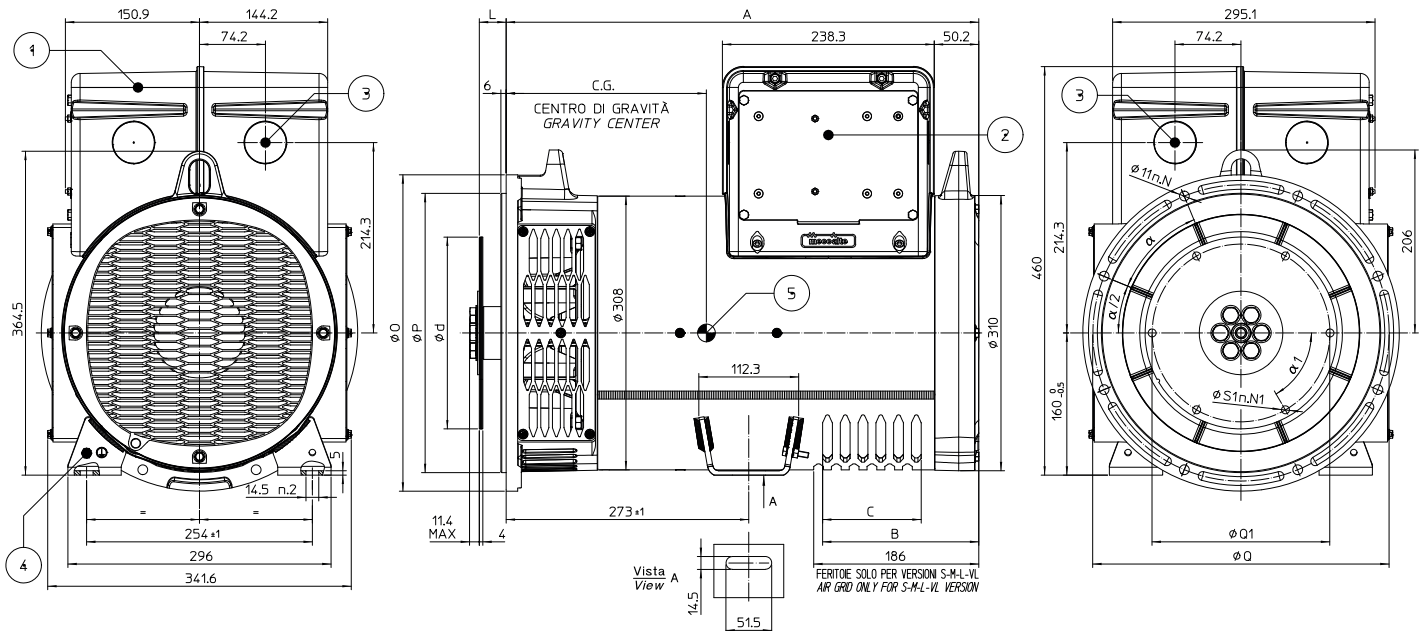
dimensions in mm.



# OVERALL DIMENSIONS MD35 FORM



dimensions in mm.



SERIE SERIES	MODELLO MODEL	A	B	C	D	C.G.
ECP28C/2 B3B14	M	523	465	116	51	237.3
	1L	558	500	136	71	252.5
	2L	558	500	136	71	254.8
	VL	603	545	176	111	276.4

SERIE SERIES	MODELLO MODEL	A	B	C	C.G.
ECP28C/2 MD35	M	452	116	51	218.1
	1L	487	136	71	233.6
	2L	487	136	71	236.1
	VL	532	176	111	258.1

SAE N.	FLANGIA/FLANGE BRIDE/FLANSCH				
	O	P	Q	α	N
5	356	314.3	333.4	45°	8
4	403	362.0	381.0	30°	12
3	451	409.6	428.6	30°	12
2	490	447.7	466.7	30°	12

- COPERCHIO REMOVIBILE PER ACCESSO AI TERMINALI PRINCIPALI  
REMOVABLE COVER FOR ACCESS TO MAIN TERMINALS
- PANNELLO REMOVIBILE PER ACCESSO AL REGOLATORE  
REMOVABLE PANEL FOR ACCESS TO AVR
- PRE-TAGLIO PER INGRESSO CAVI  $\phi 4.8\text{mm}$   
PRE-CUT FOR CABLE ENTRY  $\phi 4.8\text{mm}$
- VITE M6 PER MESSA A TERRA  
SCREW M6 FOR GROUNDING
- CENTRO DI GRAVITA' IN CONFIGURAZIONE SAE 3 VOLANO 11.5  
GRAVITY CENTER IN CONFIGURATION SAE 3 FLYWHEEL 11.5

SAE N.	GIUNTI A DISCHI / DISC COUPLING DISQUE DE MONOPALIER / SCHEIBENKUPPLUNG					
	d	L	Q1	S1	α1	N1
6 1/2	215.90	30.2	200.00	9	60°	6
7 1/2	241.30	30.2	222.25	9	45°	8
8	263.52	62.0	244.47	11	60°	6
10	314.32	53.8	295.27	11	45°	8
11 1/2	352.42	39.6	333.37	11	45°	8