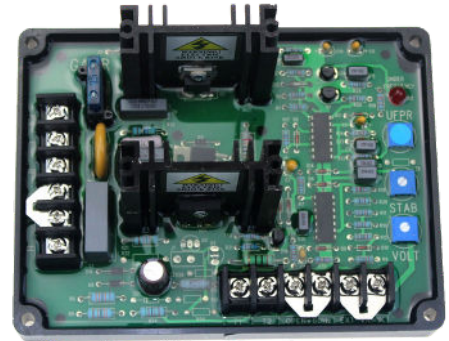


GAVR SERIES

Universal 1/2Wave Self Excited Dip-Switch Programmable Automatic Voltage Regulator

- $\leq \pm 0.5\%$ Regulation
- 220/400V AC Programmable Input
- Rugged Compact Design
- Under Frequency Protection
- Soft Start Voltage Ramping
- EMI Suppression
- Built-in High Capacity 12Amp Fuse



Specifications

Sensing Input Voltage - 220/400VAC, 1phase, 2wire
 Power Input Voltage - 180~240VAC, 1phase, 2wire
 Output Voltage - Max.90VDC@240VAC input
 Volts Regulation $< \pm 0.5\%$ (with 4% engine governing)

Voltage Build-up Residual 1volts at AVR terminal $> 5V$ AC
 External Volts Adjustment $\pm 7\%$ with 1K Ω 1 watt trimmer
 Soft Start Ramp Time 3sec
 Unit Power Dissipation Max.8W att
 EMI Suppression Internal Electromagnetic Interference Filtering
 Thermal Drift 0.05% per $^{\circ}C$ change in AVR ambient
 Under Frequency Protection 60Hz system presets knee point at 57Hz
 (Factory Settings) 50Hz system presets knee point at 47Hz

Model	Continuous	10seconds
GAVR-20A	12A	20A
GAVR-15A	10A	15A
GAVR-12A	8A	12A
GAVR-8A	5A	8A

Environment

Vibration 3G@ 100~2K Hz
 Operating Temperature -40~65 $^{\circ}C$

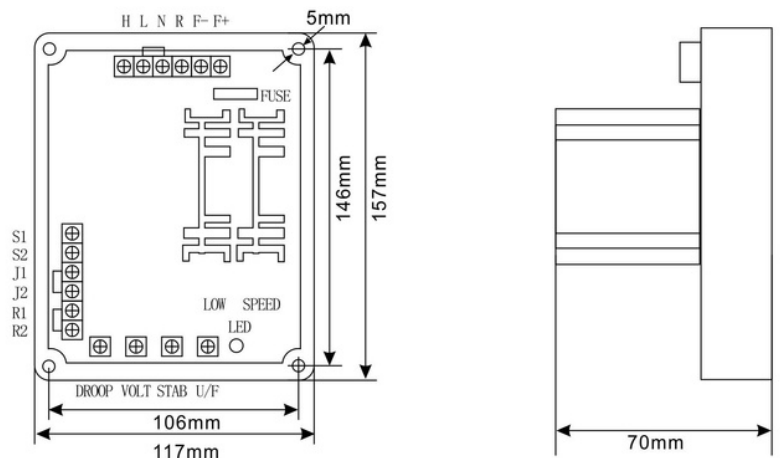
Relative Humidity $< 95\%$
 Storage Temperature -40-85 $^{\circ}C$

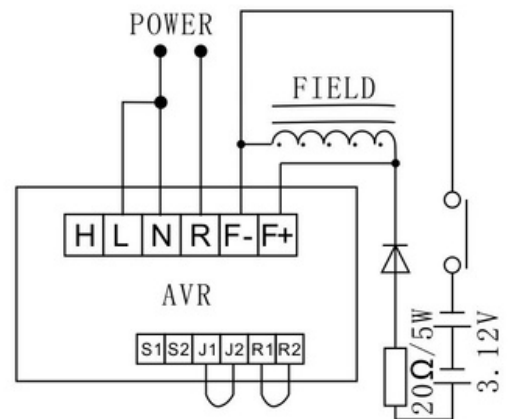
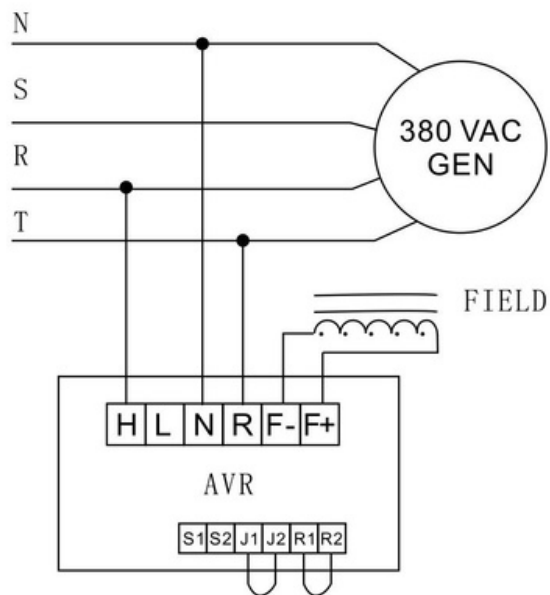
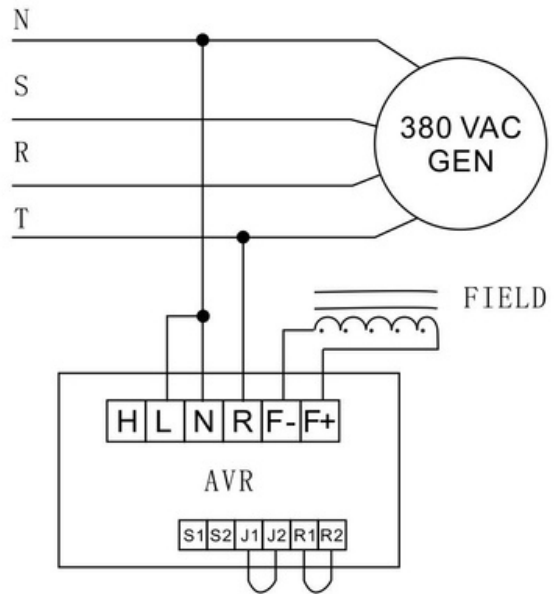
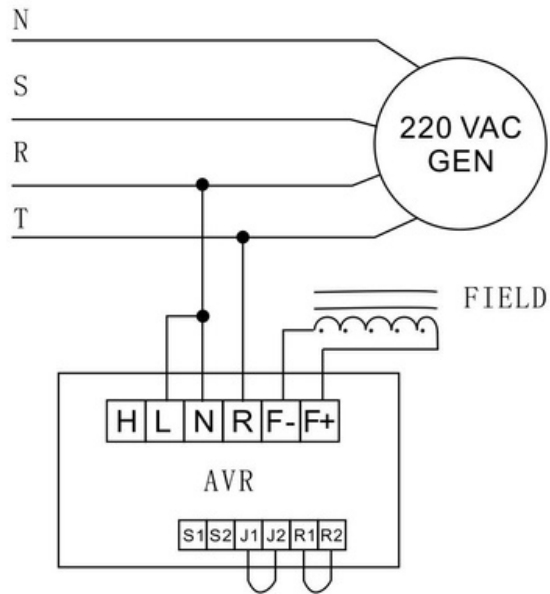
AVR Controls

- VOITS Voltage Adjustment
- STAB Stability Adjustment
- U/F To Set the U/F * Knee Point DROOP
- To set the reactive power
- *U/F: Under Frequency Protection

Physical Specifications

Dimensions 157.0 (L) 117.0 (W) 70.0 (H) mm





- 1 - J1, J2, OPEN = 60Hz
- 2 - J1, J2, CLOSE = 50Hz
- 3 - R1, R2 to connect 1K/0.5W potentionmeter for remote adjusment
- 4 - S1, S2 to connect 0.1A CT for parallel apply

